



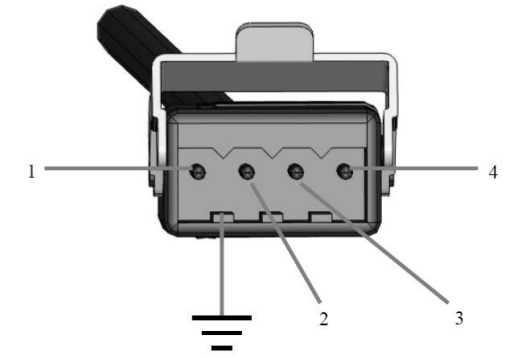
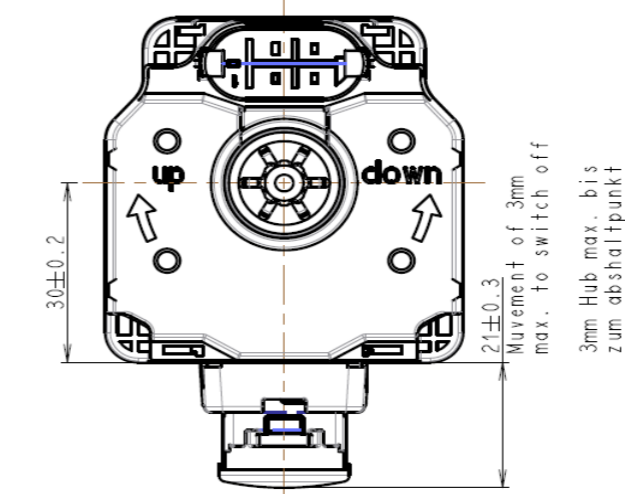
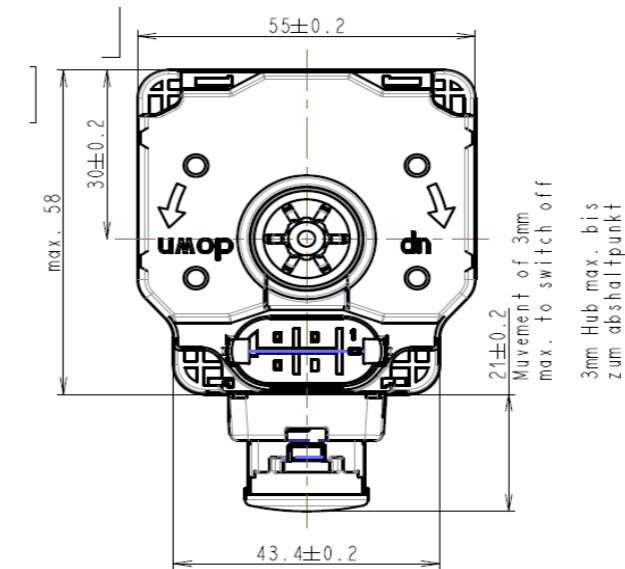
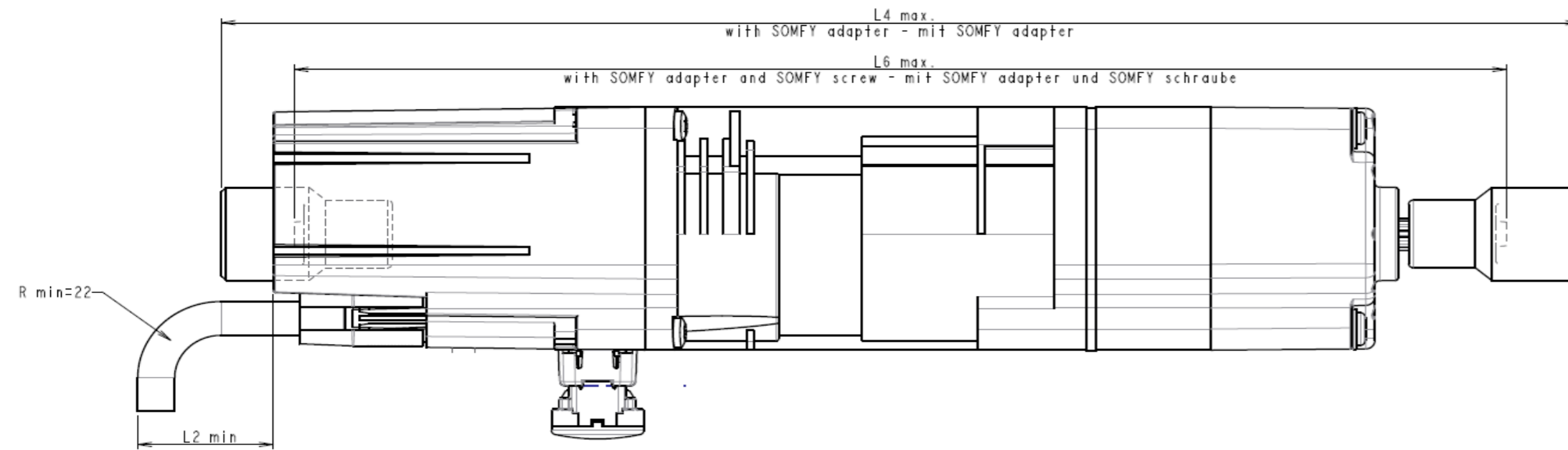
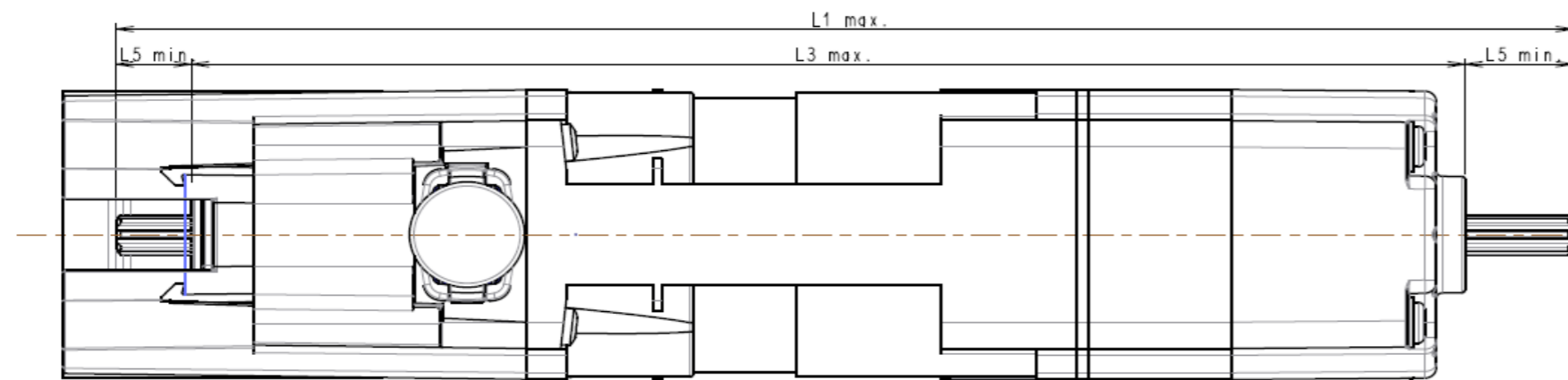
J4 2WT PROTECT RANGE TECHNICAL DATA SHEET

TDST
RANGE 1
DOC 122293 / 002
10/10/17 Page 1 / 2

Nominal voltage	230 V - 50 Hz
Power supply tolerances 50Hz	195,5V- 255 V
Frequency tolerances	47Hz -52Hz
Number of wires of the cable	4 + earth
Wire section	0,75 mm ²
Protection against electric shock	Class I
Type of limit switch unit	Electronic limit switch unit with preset & adjustable up and down end limit
Maximum capacity of the LSU	200 turns
Repeatability	± 5°
Degree of protection	IP 54
Interface drawings	5063331 GEO015523 : J4 WT/2WT /WT PROTECT /RTS/io Outside dimensions or GEO109715 J4 WT/2WT /WT PROTECT /RTS/io Outside dimensions medium adapters 5061177 GEO014735 : J4 Shaft adapters 5061180 : J4 Headrail limit switch access 5059174 : J4 Motor in 57 x 51 headrail mounting 5059175 : J4 Motor in 58 x 56 headrail mounting 5061179 : J418 Motor in 78 x 67 headrail mounting GEO109715-INTERFACE DRAWING WT/WT+/RTS/IO OUTSIDE DIMENSION MEDIUM ADAPTERS GEO102077-INTERFACE DRAWING J4 SCHENKER GEO107060-INTERFACE DRAWING J4 WT BAUMANN HUPPE NOVAL GEO116375-ID METALUNIC WT RTS IO GRIESSER GEO116613-ID LAMISOL GRIGNOTEX WT RTS IO GRIESSER
Standby consumption	< 0,5 W
Used Position	Horizontal
Temperature working range	Normal use : -20°C to +70°C Exceptional use : 500 cycles at -30°C (1 cycle = 2 meters high Up / Down movement with nominal load)
Noise Level	According to SOMFY measurements : Acoustic Power of motor in Up movement with load (nominal torque) at 20 °C in reverberant acoustic room

Information	<p>Caution ! In case of very low temperature, or when the motor is cold, adverse reactions can be noticed : reduced speed, louder noise, ... This actuator is not qualified for a use in sealed glazing</p>
--------------------	---

DESIGNATION	Tests done at 20°C, 230V 50Hz															
	N.m	rpm	mm	mm	mm	mm		mm	mm	mm	W	A	min	kg	dB	
	Nominal torque	Speed with load	L1 max.	L2 min.	L3 max.	L4 max.		L5 min.	L6 max.	Section	Rated power	Rated current	Thermal time	Brake type	Weight (with adapter)	Noise
						Adapters size										
Long	Med.															
J406 WT	6	24	254	47	222	306	296	16	265	55 x 58	95	0,4	4	sliding	1,5	53
J410 WT	10	24	269	47	237	321	311	16	280	55 x 58	110	0,5	4	sliding	1,7	55
J418 WT	18	24	289	47	257	341	331	16	300	55 x 58	155	0,7	4	sliding	2,2	56



WIRING		
1	Black	Down (open)
2	Grey	Down (closed)
3	Brown or red	Up
4	Blue	Neutral
PE	Green-Yellow	Earth