



16-10-2009

SUNEA 50 SCREEN RH io 32rpm TECHNICAL DATA MOTOR

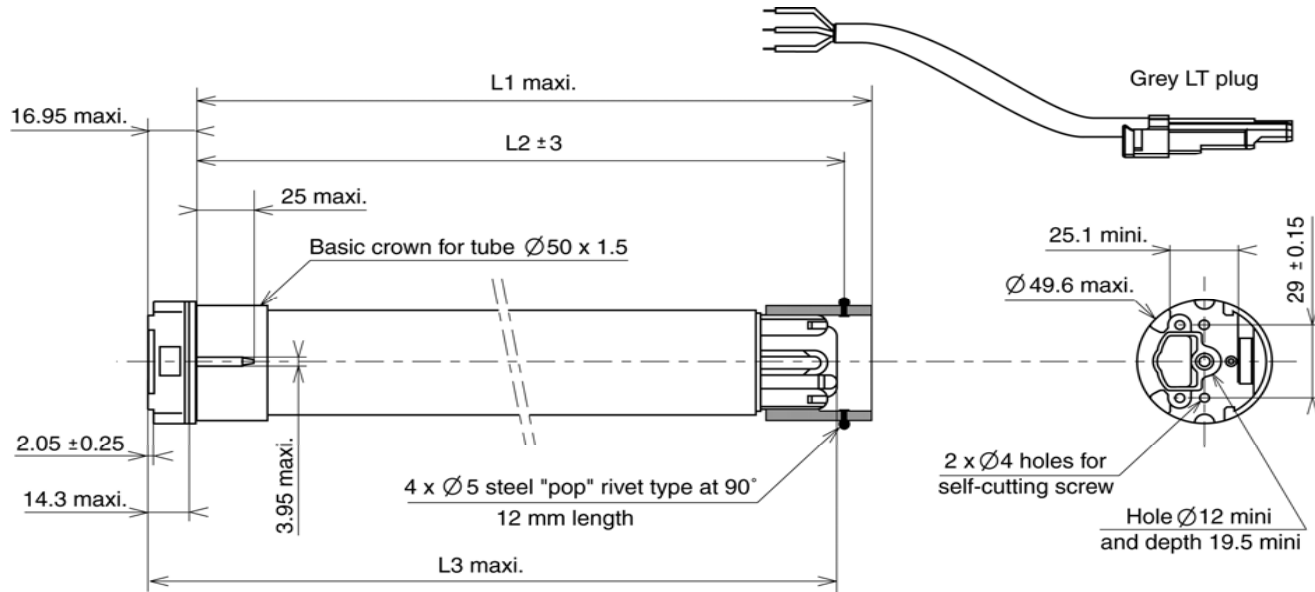
SDEV-CLU-IMPS 61R0

SDEV- FICA 41R0
SUNEA 50 SCREEN RH io
32rpm Range 1

Type of head	Round Head
Nominal voltage	230 V - 50 Hz
Power supply tolerances	205-255 V AC
Thermal time	4 minutes
Number of wires of the cable	3
Wire section	0,75 mm ²
Type of limit switch unit	Electronic
Capacity of the LSU	241 turns
Repeatability	< ± 5°
System of protection	IP 44
Interface drawings	Wheel interface LT50 206821-Crown interface LT50 206822-Bracket interface LT50RH 206824 Screw implantation for LT50 RH mounting 206867
Radio frequency	868-870 Mhz (tri band)
Coding	Code with a minimum of 2 ⁴⁸ possibilities
Capacity of memory	Maxi 9 for 1W transmitter - infinite for 2W transmitters
Antenna	Integrated
Range	20 m with 2 reinforced concrete walls to be passed through Possibility to enhance radio range thanks to a Repeater
R&TTE (Radio Equipement and Telecommunications Terminal Equipement Directive)	Dir 1999/5/CE dated 1999-03-09 / CE declaration available on www.somfy.com/ CE
Principle	The principle of the Sunea io is to motorize vertical screen application with the io-Homecontrol protocol
Basic crown for tube Ø	50 x 1,5 mm
Temperature working range	80% of life time between -10°C to +40°C 20% of life time between -20°C to +70°C

	Nm	rpm		mm	mm	mm	W	A	kg	mm	°C		dBa
Designation	Nominal torque	Nominal speed	Reference	L1 max.	L2 (±3 mm)	L3 max.	Rated power	Rated current	Weight	tube	Thermal tripping	Brake type	Noise
SUNEA SCREEN 50 RH io 6/32	6	32	5064104	655	640	663	120	0.5	2.21	590	140	Sliding	52
SUNEA SCREEN 50 RH io 10/32	10	32	5064105	655	640	663	160	0.75	2.21	590	150	Sliding	54
SUNEA SCREEN 50 RH io 15/32	15	32	5064106	675	660	680	240	1.1	2.54	610	150	Sliding	55

Neutral	Blue
Live	Brown
Earth	Green / Yellow



Name Date	R&D	QUALITY	EDITOR



16-10-2009

SUNEA 50 SCREEN io 32rpm TECHNICAL DATA MOTOR

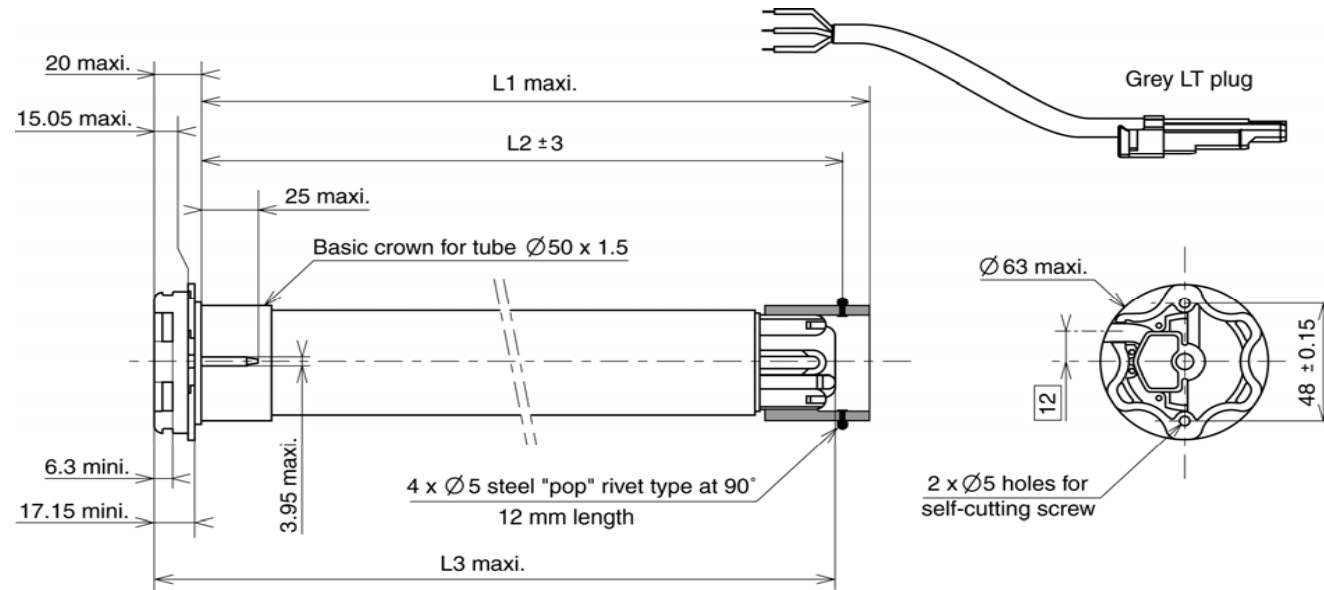
SDEV-CLU-IMPS 61R0

SDEV- FICA 40R0
SUNEA 50 SCREEN io 32rpm
Range 1

Type of head	Star Head
Nominal voltage	230 V - 50 Hz
Power supply tolerances	205-255 V AC
Thermal time	4 minutes
Number of wires of the cable	3
Wire section	0,75 mm ²
Type of limit switch unit	Electronic
Capacity of the LSU	241 turns
Repeatability	< ± 5°
System of protection	IP 44
Interface drawings	Screw implantation for LT50 mounting 206810-Wheel interface LT50 206821-Crown interface LT50 206822-Interface drawing star head LT50 and LT50PA/PS 206823
Radio frequency	868-870 Mhz (tri band)
Coding	Code with a minimum of 2 ⁴⁸ possibilities
Capacity of memory	Maxi 9 for 1W transmitter - infinite for 2W transmitters
Antenna	Integrated
Range	20 m with 2 reinforced concrete walls to be passed through Possibility to enhance radio range thanks to a Repeater
R&TTE (Radio Equipement and Telecommunications Terminal Equipement Directive)	Dir 1999/5/CE
Safety Security	EN 60335 - 2 - 97
Electromagnetic compatibility	EN 301489-3 V1,4,1 2002 / EN 301489-1 V1.4.1 : 2002
Radio frequency	EN 300 - 220 - 2
Principle	The principle of the Sunea io is to motorize vertical screen application with the io-Homecontrol protocol
Basic crown for tube Ø	50 x 1,5 mm
Temperature working range	80% of life time between -10°C to +40°C 20% of life time between -20°C to +70°C

Designation	Nm	rpm	Reference	mm			W	A	kg	tube	°C	Brake type	Noise
	Nominal torque	Nominal speed		L1 max.	L2 (±3 mm)	L3 max.	Rated power	Rated current	Weight		Thermal tripping		
SUNEA SCREEN 50 io 6/32	6	32	5063113	655	640	663	120	0.5	2.214	590	140	Sliding	52
SUNEA SCREEN 50 io 10/32	10	32	5063114	655	640	663	160	0.75	2.215	590	150	Sliding	54
SUNEA SCREEN 50 io 15/32	15	32	5064107	675	660	680	240	1.1	2.585	610	150	Sliding	55

Neutral	Blue
Live	Brown
Earth	Green / Yellow



Name Date	R&D	QUALITY	EDITOR