



**somfy**  
Door & Gate Business Group

## TECHNICAL DATA SHEET

2008 / QBGDGD / 006

14/02/08

<b>Designation</b>	Lock controller io	<b>Application</b>	YeSseo
<b>Reference</b>	1841055	<b>Cancel &amp; replaces</b>	/
<b>EAN Code</b>	/	<b>Marketing date</b>	mai 2008
<b>Pack dimension (HxWxD)</b>	90x90x70 mm		
<b>Weight</b>	140 g		
<b>Guarantee</b>	3 years		



**MADE IN FRANCE**

[www.somfy.com](http://www.somfy.com)

### Pack Composition

- 1 bracket
- 1 seat
- 1 electronic box
- 2 connectors
- 1 front plate
- 3 leaflets



### Technical characteristics

<b>Box</b>		
Material		ABS
Color		white
Size (Lxwxh)		80x80x50 mm
Weight		75 g
<b>Supply</b>		
Voltage		12V (Vachette) or 24V (KFV)
		Powered by the lock power supply
<b>Radio</b>		
Frequency		868.25 / 868.95 / 869.85 MHz +/- 1 kHz
Protocol		Io-homecontrol
<b>Fixing</b>		
Standard box (50 mm dept)		Ref : 9660080 Ref : 9754122

### Compatible lock

Lock	Supply	Range
KFV	24 V	Genius
Vachette	12 V	<b>Not available yet</b>

**Lock and power supply  
are selling separately.  
(See KFV catalog)**

Remote control compatible



**Keytis io**  
Ref: 1841053



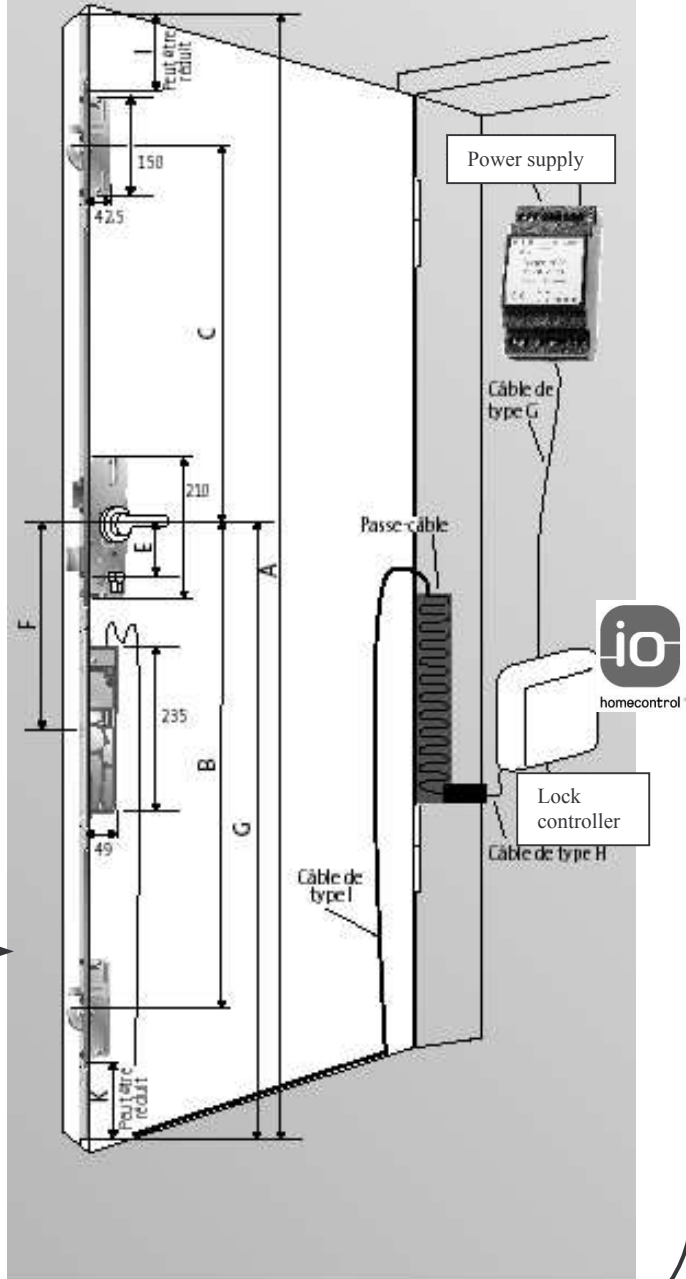
**Keytis Home io**  
Ref: 1841054



To have more information concerning the mounting, see KfV catalog.

Illustration : A5 2600 EB

Principle of mounting



This product complies with the following standard :  
EN 301489: EMC standard for radio equipment.

SOMFY hereby declares that the device is compliant with the essential demands and other relevant requirements of directive 1999/5/CE.

A declaration of compliance is available from the web site at [www.somfy.com/CE](http://www.somfy.com/CE) (Lock controller io).