

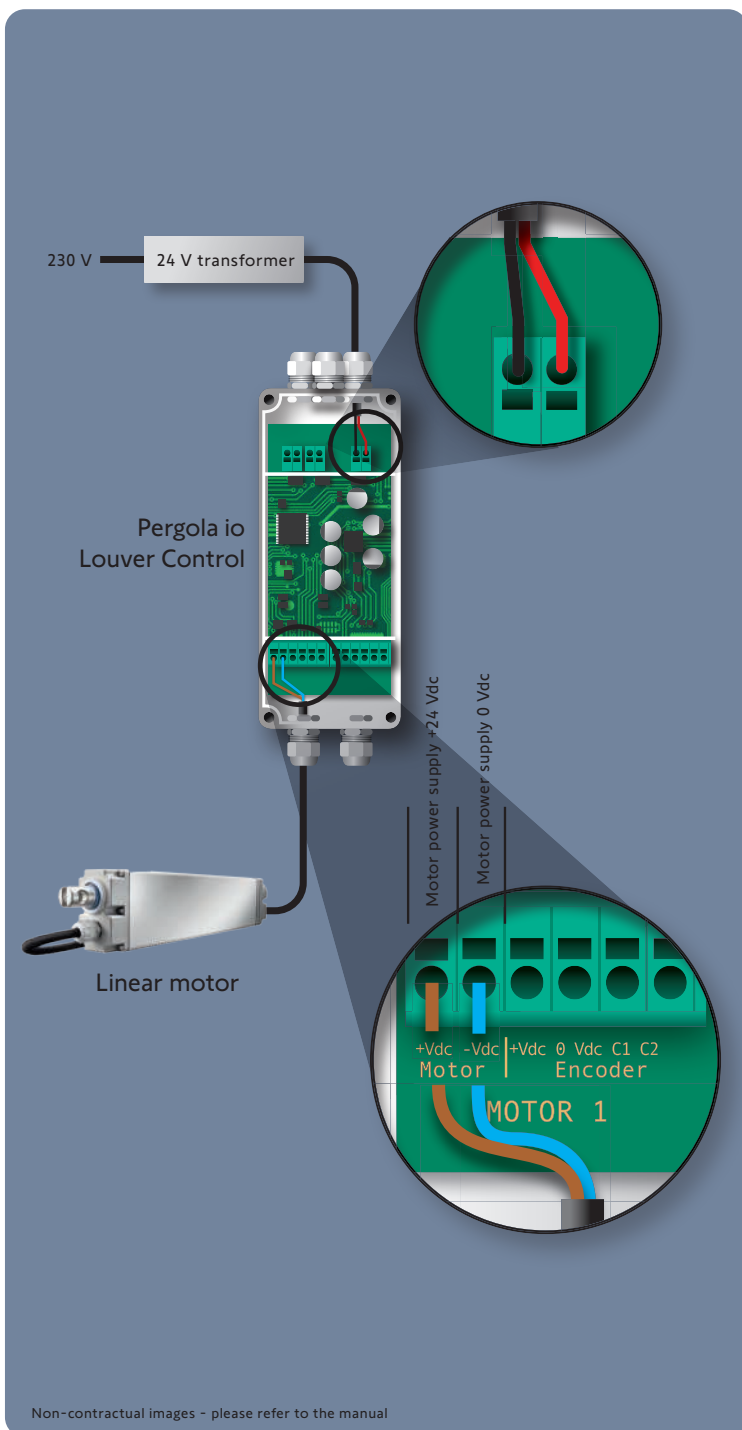
MOTOR WITHOUT ENCODER INSTALLATION AND SETTINGS GUIDE

> FULLY AUTOMATIC MODE

RULE: High- and down-end limits are automatically set. End-limits are identified by motor sensors and the detection of resistance (slat closure or mechanical stop).

RESTRICTION: End-limit physical stop or full cylinder required.

WIRING



SETTING

- MOTOR SET-UP**
- CHECK DIRECTION OF ROTATION**
WRONG DIRECTION

Opening

2 s
- AUTOMATIC END-LIMIT SETTING**

STOP

STOP

The motor completes its high-

and down-end-limit settings

⚠ Do not stop the movement
- SNOW POSITION SETTING**

Select desired snow position
- SETTING VALIDATION**

2 s
- Complete 4 full cycles to activate My position and all intermediate positions requested with the Situo 5 Variation, Tahoma or Nina.**

INSTALLATION GUIDE FOR SENSORS

WIRING the wired rain sensor

ONDEIS
rain sensor

Pergola io
Louver
Control

Contact 1
Contact 2
Rain sensor power supply 0 Vdc
Rain sensor power supply +24 Vdc

Non-contractual images - please refer to the manual

PAIRING the connected wind and sun sensors

1 REMOTE CONTROL PAIRING

Press on PROG button on the back of remote control for 2 seconds until the pergola slats move back and forward.

2 PAIRING WIND AND SUN SENSORS

EOLIS wind sensor

Press once on PROG button at the back of sensor, the pergola slats should move back and forward again.

SUNIS sun sensor

Press once on PROG button at the back of sensor, the pergola slats should move back and forward again.



To go even further

Use the Set&Go io interface to automatically programme and adjust your pergola depending on the weather and your own needs.